



STAR 6 PICKING

SAFETY WITHOUT COMPROMISE

Haulotte

STAR 6 PICKING



1 MAINTENANCE UPKEEP
AND REPAIRS



2 SHELVING
INSTALLATION



3 POS SIGNAGE
AND DECORATION



4 INVENTORY
MANAGEMENT

TO RESPOND TO INDOOR APPLICATIONS SUCH AS DISTRIBUTION AND LOGISTICS



5 FILLING AND
DESTOCKING SHELVES



6 ORDER AND
STOCK PICKING



PROJET LUMIERE
DU 02 AU 28 MARS

VOUS METTIEZ
VOTRE MAISON
EN LUMIERE ?

PROJET LUMIERE
DU 02 AU 28 MARS

VOUS METTIEZ
VOTRE MAISON
EN LUMIERE ?

ZONE DE DESTOCKAGE ZONE DE DESTOCKAGE ZONE DE DESTOCKAGE ZONE DE DESTOCKAGE

PLAFONDS XPRO3
PIECE D'EAU
RIPOLIN 2.5L + 20%
38€

MURS ET PLAFONDS
XPRO3 MAT RIPOLIN
38€

MURS ET PLAFONDS
BENVO EXPRESS
ACRYL. SATIN RIPOLIN
1L + 20%
38€

MURS ET PLAFONDS
BENVO EXPRESS
ACRYL. MAT RIPOLIN
1L + 20%
49€

PEINTURE
BLANCHE
GLYCERO V33
SATIN 10L
97€

PEINTURE
BLANCHE
GLYCERO V33
MAT 10L
86€

PEINTURE
BLANCHE
EASY COVER MS
V33 SATIN 10L
79€

PEINTURE
BLANCHE
EASY COVER MS
V33 MAT 10L
69€

29.90 € 55.90 € 55.90 € 90.90 € 79.90 € 69.90 €

ZONE DE DESTOCKAGE NOUVEAUTÉ

BLANC Easy COVER 16

STAR 6 P AC

STAR 6 PICKING

10 KEY POINTS

1

STABLE PLATFORM

With reversed-caisson mast.

- > Operators feel safe and can work with complete peace of mind.

2

OPTIMIZED UPTIME

Cable-free, chain-free mast.

- > Minimum maintenance guaranteed.

3

MAXIMUM VISIBILITY

Mast located at the same level as the guardrails.

- > Nothing restricts operators' field of vision.

4

BATTERY INDICATOR

In the upper control box.

- > The operator is never taken by surprise.

5

SECURE DROP-PROOF PICKING TRAY

Featuring removable side panels.

- > Packages are perfectly braced.

6

SAFE AND SIMPLE ACCESS

Baseboards and anti-skid steps on both sides.

- > Operators can step up to the platform safely.

7

ENHANCED VISIBILITY

With a flashing light located on the chassis.

- > The machine is clearly visible for optimal safety.

8

CLEVER TRANSPORT

With forklift tine pockets to lift the machine.

- > Lift safely with no risk of tipping over.

9

OVERCOME OBSTACLES WITH EASE

Automatic pothole protection system.

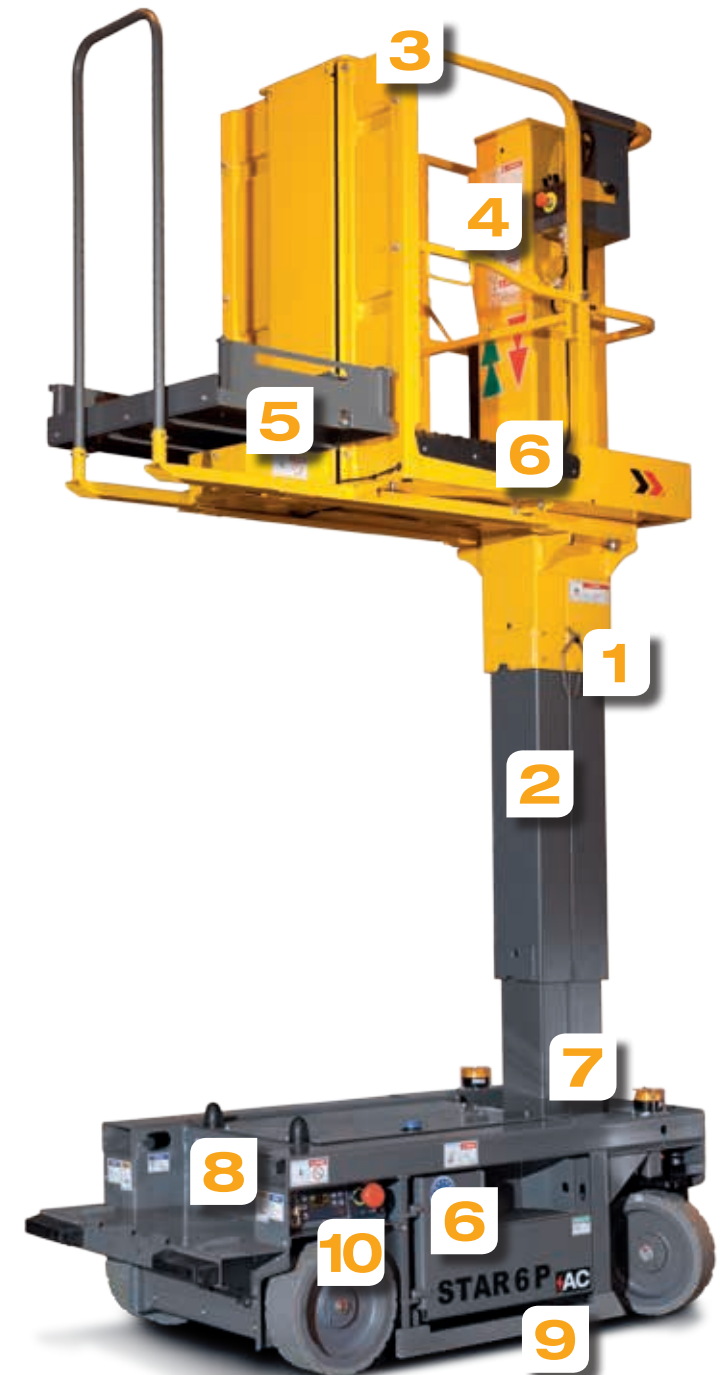
- > Clear obstacles including baseboards and door sills.

10

ON-BOARD DIAGNOSTIC TOOL

Provides technicians with key information (troubleshooting, maintenance alerts, etc.).

- > Cut downtime to a bare minimum.



STAR 6 PICKING

“ Prevent accidents and protect goods ”



SECURE DROP-PROOF PICKING TRAY

The picking tray of the STAR 6 Picking features **removable side panels** and a **front-end guardrail** to protect goods. With packages perfectly braced, there is no risk of falls and damage to products. A real plus in terms of safety.



SAFE AND SIMPLE ACCESS STEPS

Step up to the platform safely and easily thanks to **baseboards** and **anti-skid steps** on both sides of the basket.

OPTIMAL SAFETY

1

STAR 6 PICKING

OPEN DOOR SENSORS

The Lambo doors are equipped with open-door sensors. The machine cannot be driven or raised with the doors open, thereby guaranteeing operator safety.

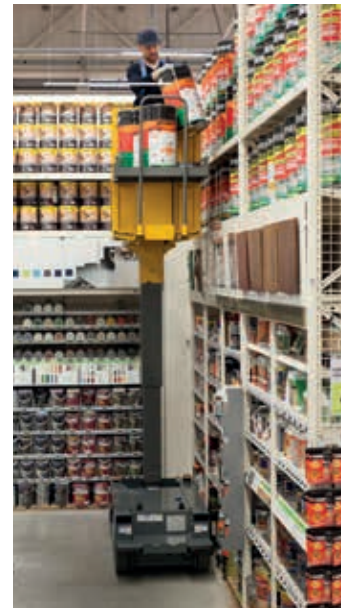


INNOVATIVE ANTI-COLLISION MECHANISM

Only by Haulotte: the STAR 6 Picking is the first aerial working platform equipped with the optional **ACTIV'Pedestrian Light**. A real asset in terms of safety!

The system is automatically activated when the machine is in motion, projecting a spotlight in front of the machine to alert bystanders.

This makes it possible to enhance the machine's visibility around corners, preventing collisions with pedestrians in warehouses or customers in shops.



CLEVER TRANSPORT

For maximum flexibility, the STAR 6 Picking chassis incorporates specially designed **forklift tine pockets** to lift the machine lengthwise or widthwise during transport phases. Thanks to this simple and efficient solution, the machine can be lifted safely with no risk of tipping over.

MAXIMUM VISIBILITY

Operators have maximum visibility in the platform thanks to the mast design, located at the same level as the guardrails. Nothing restricts their field of vision.



STABLE PLATFORM

The STAR 6 Picking features a **mast with reversed caissons**, offering the platform greater stability and rigidity. Operators feel safe and can work with complete peace of mind.

STAR 6 PICKING

“ Greater efficiency
without
compromising safety ”



HIGH LOAD CAPACITY

The STAR 6 Picking can safely lift **up to 80 kg of goods at once**.
Greater productivity without compromising safety.

HIGH PRODUCTIVITY

2

STAR 6 PICKING

OPTIMIZED WORKING TIME

With its market-leading forward speed of 4.5 km/h, the STAR 6 Picking moves quickly to ensure optimal productivity. The possibility of elevating the platform and the picking tray simultaneously also makes for greater efficiency.



PRACTICAL DUAL SIDE DOORS

Thanks to its dual side doors, the STAR 6 Picking can be parked on either side of the shelf. Operators can easily raise or lower the platform in any configuration.



OVERCOME OBSTACLES WITH EASE

Equipped with a removable anti-tilt mechanism, the STAR 6 Picking easily clears the numerous obstacles found in industrial or commercial buildings, including baseboards and door sills.



HIGH WORK AUTONOMY

Equipped with 4 deep-cycle batteries, the STAR 6 Picking lets you accomplish your daily tasks all day long, without worrying about weak batteries. The upper control box is also equipped with a clearly visible battery gauge, so the operator is never taken by surprise.



STAR 6 PICKING

“ An efficient and convenient way to work ”



SMART ERGONOMICS

The motorised picking tray can be elevated to allow operators to **lift packages with no strain**. This makes for a considerable reduction in fatigue, as well as muscle and joint pain.



QUIET!

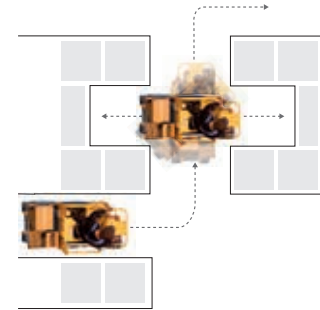
The STAR 6 Picking features **incredibly quiet motors**. Whether driving or elevating, and even when using the motorised platform, the machine offers absolute acoustic comfort.

GUARANTEED COMFORT



AGILE AND COMPACT

Combining high torque with precise and smooth control, the AC motors provide unmatched precision and comfort to get in and out of the most confined areas. Thanks to the narrow turning radius of the STAR 6 Picking, operators can manoeuvre in the most restricted spaces and perform tight turns with ease.



A WELL-DIMENSIONED WORK SPACE

Offering up to 20% more floor space than select competing models, the STAR 6 Picking lets operators work in the platform without feeling cramped.

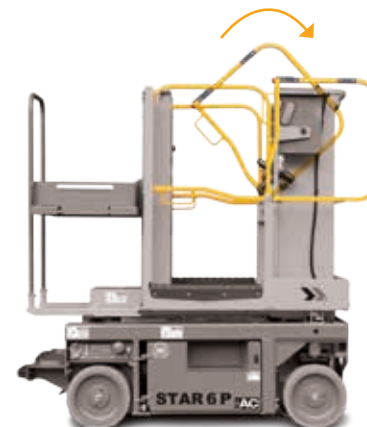


ERGONOMIC AND FUNCTIONAL CONTROLS

The STAR 6 Picking is operated from atop the platform thanks to a user-friendly joystick and simple and intuitive control buttons. Operators become proficient and operational in a snap. Moreover, the upper control box can be operated with one hand for absolute freedom of motion.

SMOOTH PROPORTIONAL MOVEMENTS

With smooth elevating and driving functions thanks to its AC motors, the STAR 6 Picking lets operators work comfortably even in the most hard-to-reach areas.



LAMBO DOORS: SIMPLE AND EFFECTIVE

The Lambo doors offer indisputable benefits:

- the doors are easy to open and close - a movement of the arm is all it takes;
- plenty of space to get on or off the platform quickly;
- the doors do not take up space on the platform, offering operators complete freedom of motion.

STAR 6 PICKING

“ Cut downtime
to a bare minimum ”



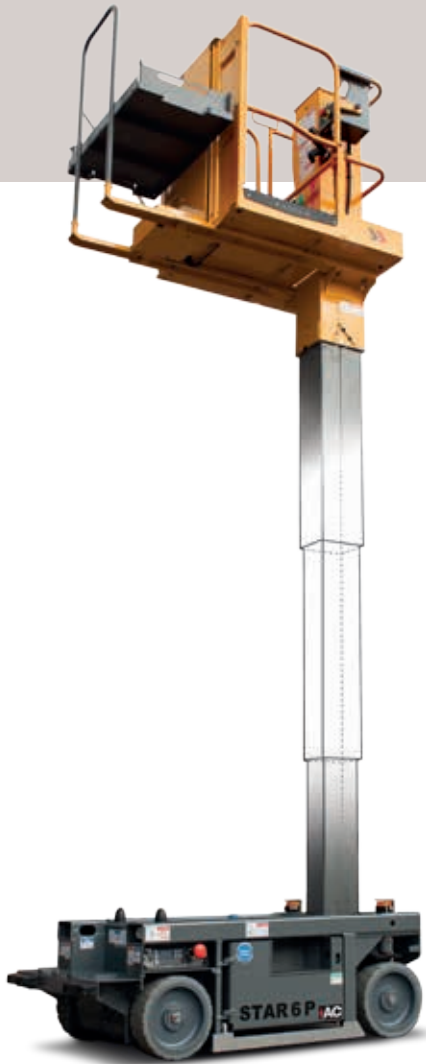
ON-BOARD DIAGNOSTIC TOOL: MAINTENANCE AT HAND

Very easy to use, the **Haulotte ACTIV'Screen on-board diagnostic tool** provides operators and technicians with key information such as alarms (slope, etc.), troubleshooting, as well as battery charge and maintenance alerts. Operators or technicians thus remain perfectly autonomous and have full control over the machine.

EASY MAINTENANCE

4

STAR 6 PICKING



ASYNCHRONOUS MOTORS (AC MOTORS) MEAN MINIMAL MAINTENANCE

Renowned for their reliability and robustness, asynchronous motors require no regular maintenance since there are no carbon brushes to be replaced. And should maintenance operations be necessary, the quick-open inspection hatch at the rear of the chassis makes for easy access.



3X GREATER DURABILITY FOR SENSITIVE COMPONENTS

All pins, bushes, axles, nuts and painted components have been specially treated to prevent corrosion, thereby guaranteeing extreme longevity. The STAR 6 Picking also features waterproof connectors to protect electrical circuits from moisture, corrosion and resulting breakdowns.



SHOCK-RESISTANT HOUSING

The chassis features an all-around shock absorber and highly robust metallic housing. As there is no risk of breakage or cracking upon impact, the cost of ownership is optimised.

EXTREMELY LONG-LASTING TYRES

Thanks to their sturdy tread, STAR 6 Picking tyres are hard-wearing and can withstand intense use.



NO CABLES, NO CHAINS

The reverse caissons of the STAR 6 Picking mast have no cables or chains, guaranteeing minimum maintenance. And since the mast is perfectly protected, there is no risk of operators inadvertently dropping tools that could become lodged in the caissons and cause damage.



EASY ACCESS FOR MAINTENANCE

The STAR 6 Picking has been designed to ensure quick interventions:

- The 2 pivoting tables for the batteries can be opened by simply pressing the latch.
- The hydraulic block offers easy access thanks to an inspection hatch on the upper part of the chassis.
- The other main maintenance and control points, such as the tilt sensor, are directly accessible, saving precious time.

STAR 6 PICKING

THE MAIN OPTIONS AVAILABLE TO MEET ALL YOUR NEEDS

Dual flashing lights



Maintenance-free batteries



Warehouse kit
(document holder /
bar code scanner and
tape dispenser holder)



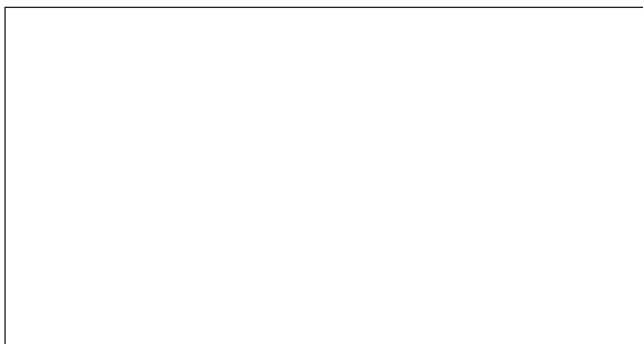
ACTIV'Pedestrian Light
anti-collision device



Haulotte

La Peronnière
BP 9
42152 l'Horme
France

Tel: +33 (0)4 77 29 24 24
Fax: +33 (0)4 77 29 43 95
haulotte@haulotte.com
www.haulotte.com



4000596930 - We reserve the right to modify the technical characteristics of this document without notice - Photos: Haulotte, Fotolia, Shutterstock, Matias ANTONIASSI - Lovently 13297e - Edition 10/2016

